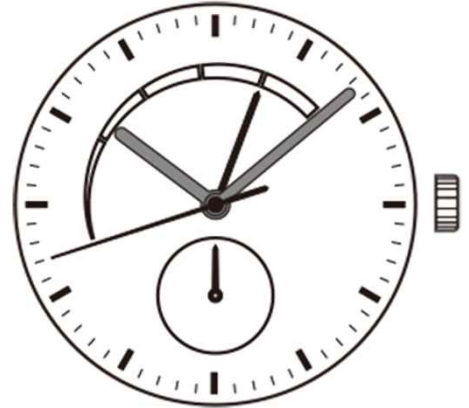


**Watch Movement Specification and Drawing**

Premium Mechanical Movement

**NE57A**



Movement Size: **12'''**  
 Diameter: **Φ27.40mm** (Φ29.36mm with Dial Holding Spacer)  
 Height: **6.63mm**

Items	Ver.	Items	Ver.
Specification	1		
Appearance - 1	1		
Appearance - 2	1		
Casing	1		
Hand Fitting	1		
Hand Setting Stem	1		
Dial	1		
Assembly Plan	1		
Hands	1		

## CAL.NE57A 12 Ligne Mechanical Movement

### Three Hands with 1 Eye

### Center Power Reserve & Small Date Hands

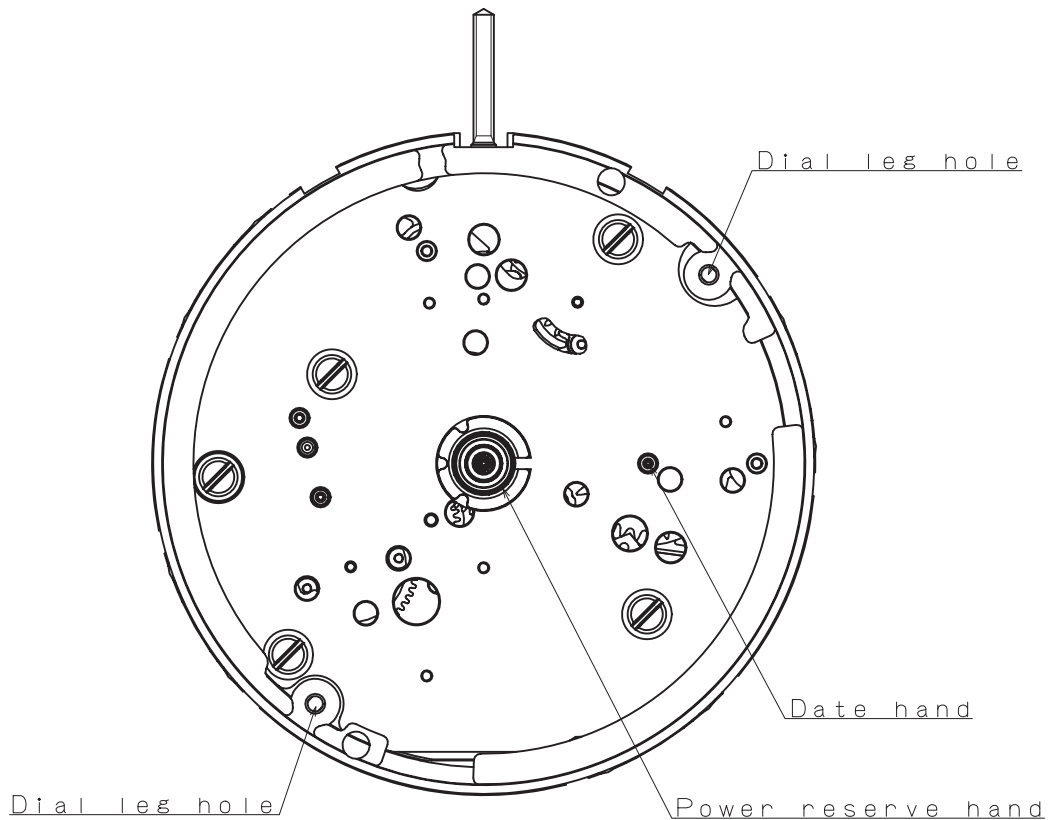
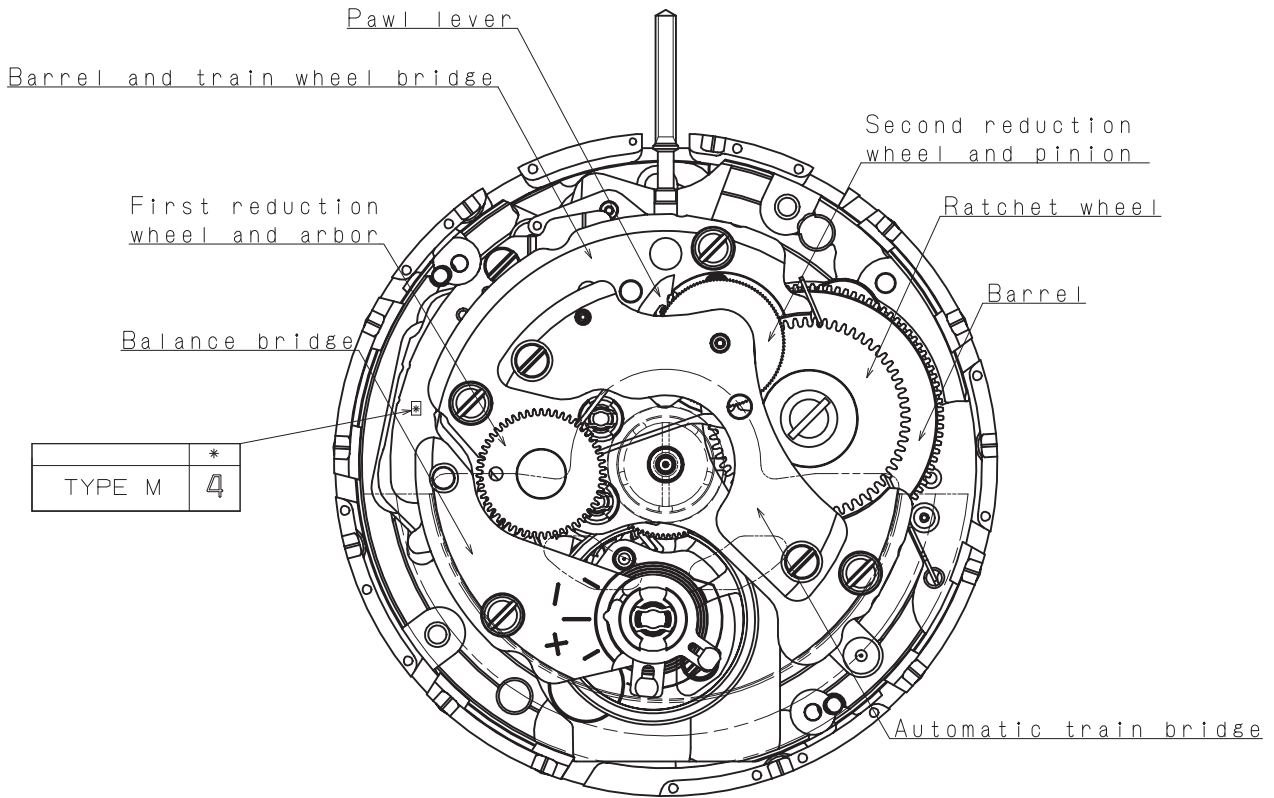
#### 1. FUNCTION

- Jewel 29 jewels
- Accuracy -20 ~ +40 seconds / day (  $23 \pm 2$  °C )
- Regulation hands unbalance
  - Hour hand : Less than  $1.50 \mu\text{N}\cdot\text{m}$  ( 150 mg·mm )
  - Minute hand : Less than  $1.25 \mu\text{N}\cdot\text{m}$  ( 125 mg·mm )
  - Second hand : Less than  $0.60 \mu\text{N}\cdot\text{m}$  ( 60 mg·mm )
  - Small date hand : Less than  $0.10 \mu\text{N}\cdot\text{m}$  ( 10 mg·mm )
  - Center power reserve hand : Less than  $0.95 \mu\text{N}\cdot\text{m}$  ( 95 mg·mm )
- Additional function
  - Manual winding
  - Automatic winding with ball bearing
  - Both winding with one way clutch
  - Second hand stop mechanism
  - Date display with quick date correction
  - Power reserve display (center hand)

#### 2. USE AND TEST CONDITION

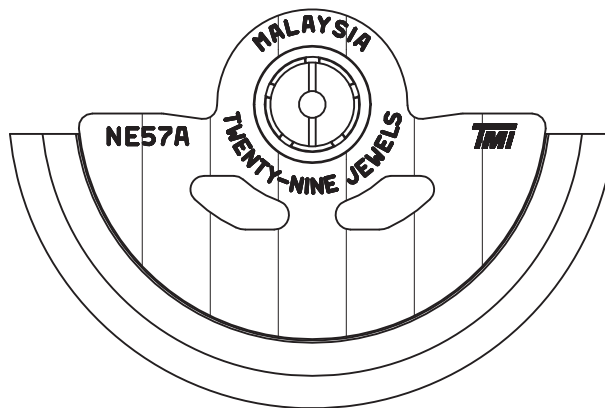
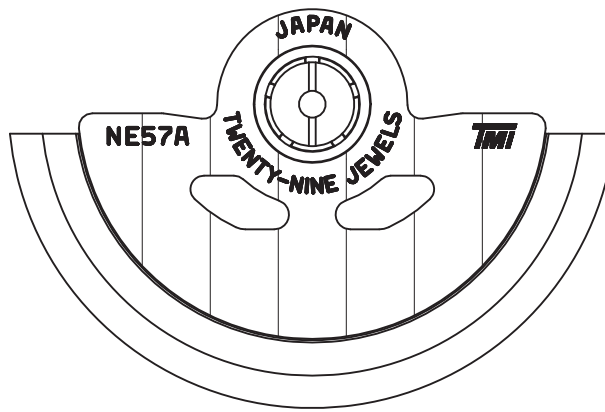
- Vibration frequency 21,600 vibrations per hour
- Duration time More than 41 hours
- Antimagnetic  $\geq 4800$  A / m (Direct current magnetic field)
- Test of accuracy 20 seconds (Duration of measurement)
- Casing
  - \*1. Screw type case back is required
  - \*2. Non-corresponding with Diver's watch

**\* All specifications are subject to change without notice.**



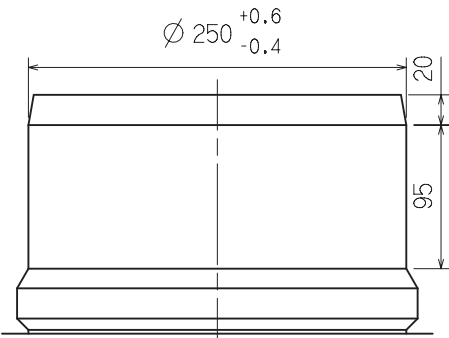
Oscillating weight

Marking	Country of origin
JAPAN	JAPAN
MALAYSIA	MALAYSIA

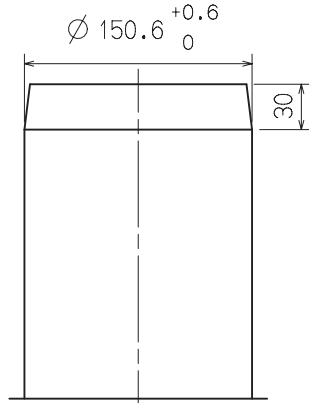




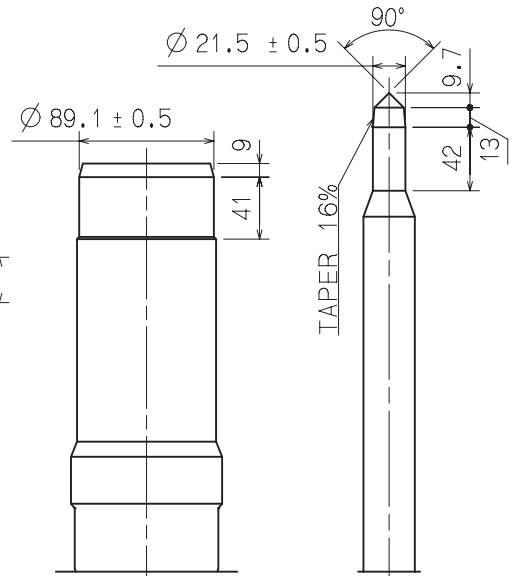
Hour hand unbalance  $\leq 1.5\mu\text{N}\cdot\text{m}$  (150mg·mm)  
 Minute hand unbalance  $\leq 1.25\mu\text{N}\cdot\text{m}$  (125mg·mm)  
 Second hand unbalance  $\leq 0.6\mu\text{N}\cdot\text{m}$  (60mg·mm)  
 Date hand unbalance  $\leq 0.1\mu\text{N}\cdot\text{m}$  (10mg·mm)  
 Power Reserve hand unbalance  $\leq 0.95\mu\text{N}\cdot\text{m}$  (95mg·mm)



POWER RESERVE HAND FITTING  
 Center power reserve wheel : 1019 190  
 中心能量顯示針輪

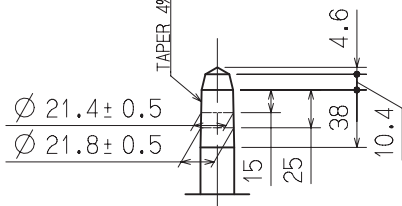


HOURLY HAND FITTING  
 Hour wheel 時針輪 : 0273 245

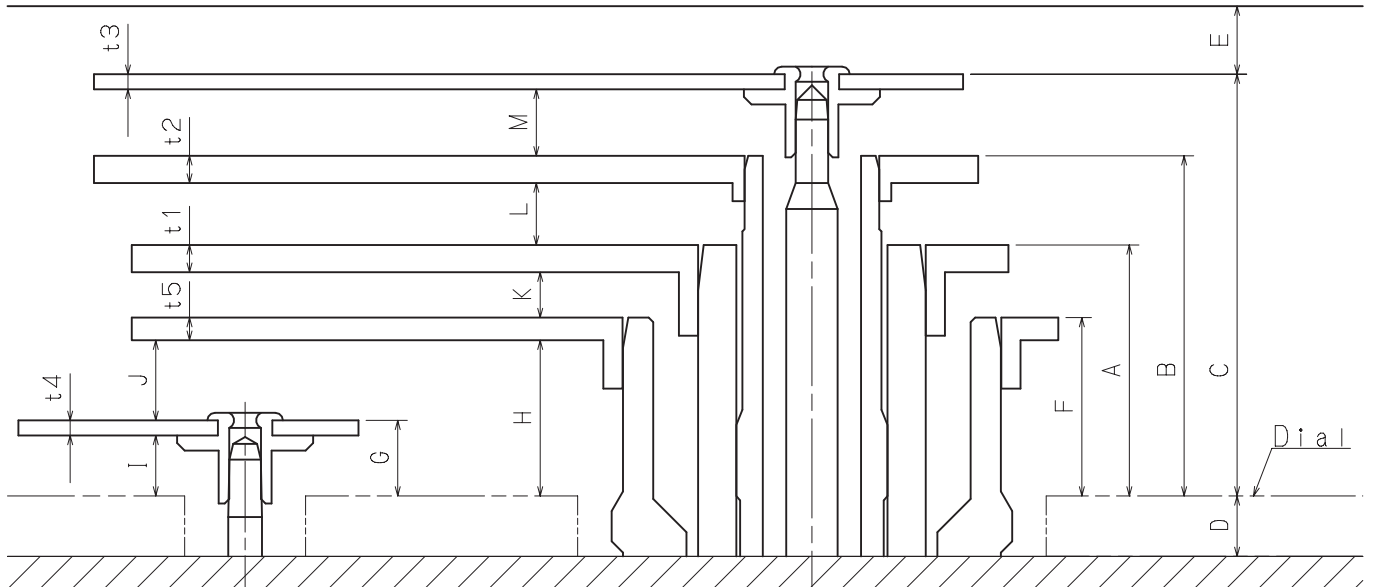


MINUTE HAND FITTING  
 Cannon pinion : 0225 341  
 分針輪(十反)

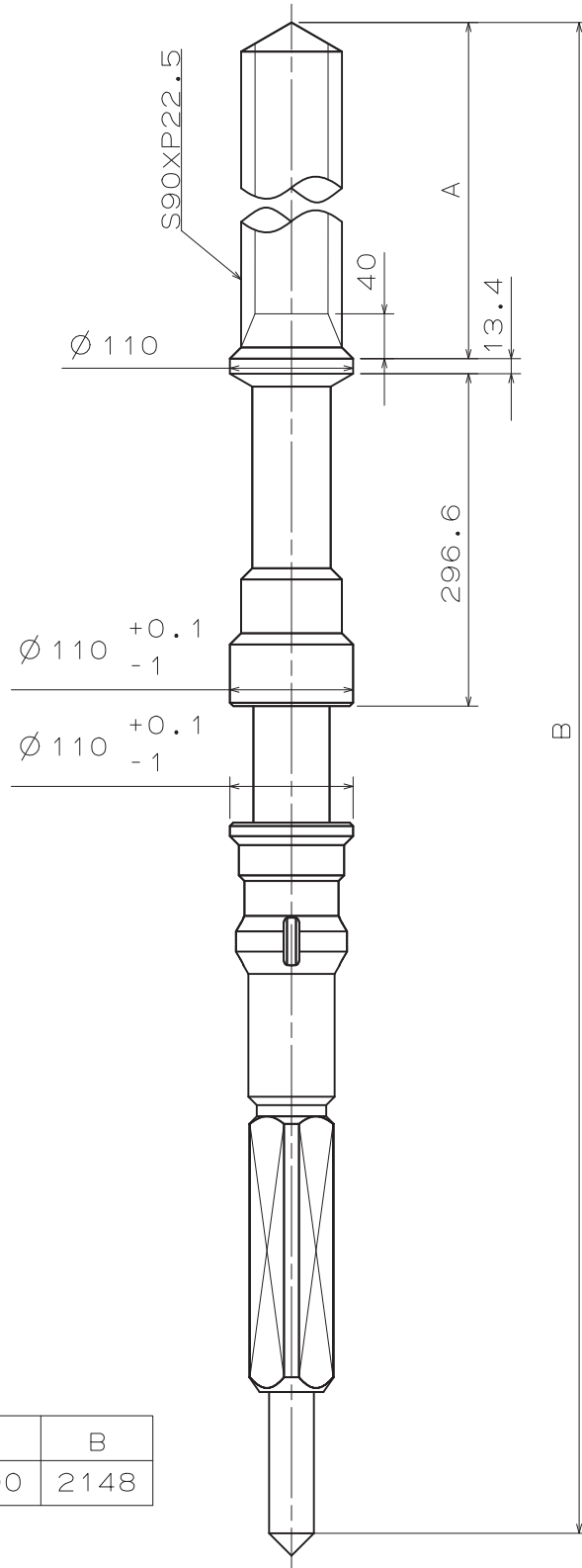
SECOND HAND FITTING  
 Fourth wheel and pinion : 0144 245  
 秒針輪



DATE HAND FITTING  
 Date star 星期針輪 : 0970 102

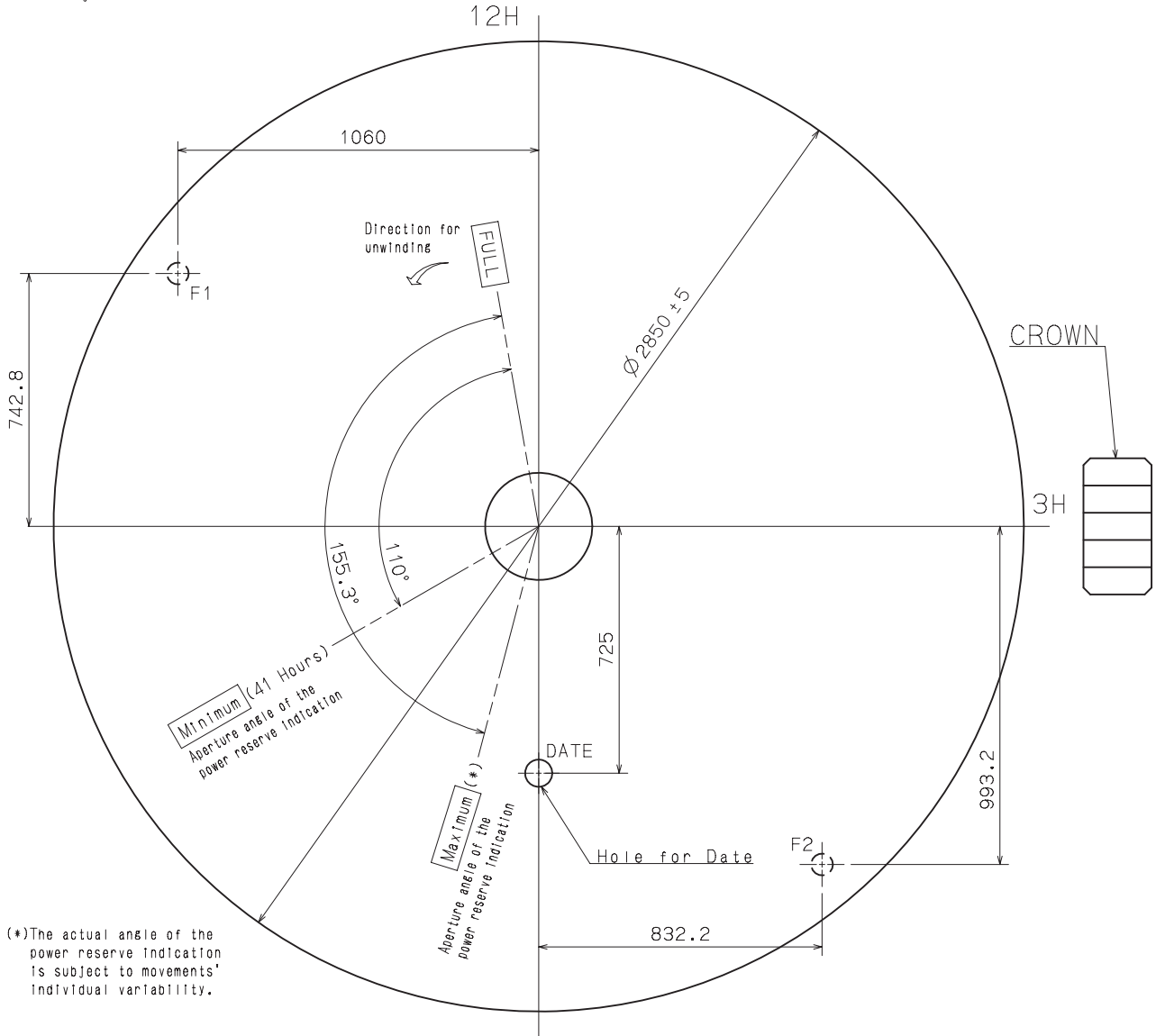


	A	B	C	D	E	F	G	H	I	J	K	L	M	t1	t2	t3	t4	t5
TYPE M 一般針高	166	225	279	40	45	118	50	103	40	53	30	41	44	18	18	10	10	15

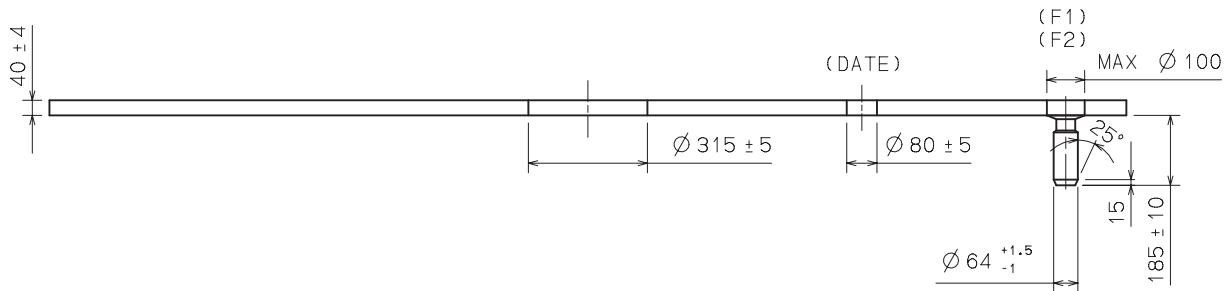


Part No.	A	B
0351 200	1100	2148

The center power reserve hand can be set in every direction.



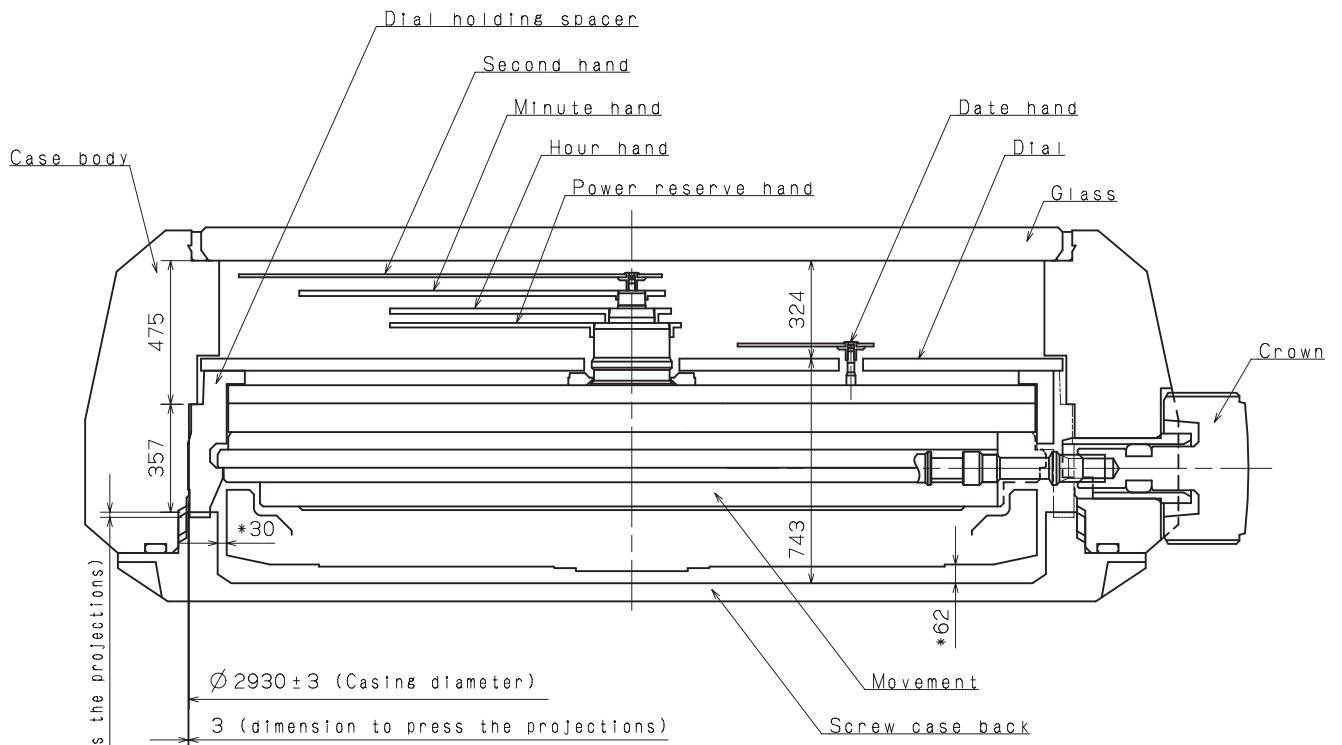
(\*)The actual angle of the power reserve indication is subject to movements' individual variability.



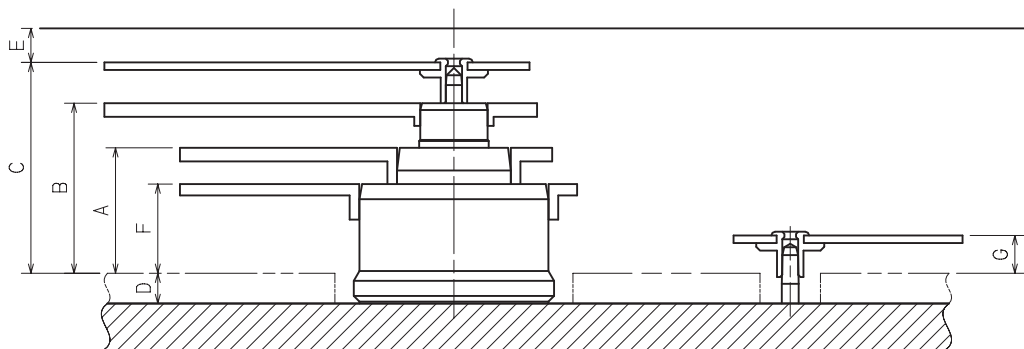
# Assembly Plan

# NE57A

(Note for clearance \*30 and \*62)  
It is STRONGLY RECOMMENDED that these clearances should be applied without modifications.



17 (dimension to press the projections)



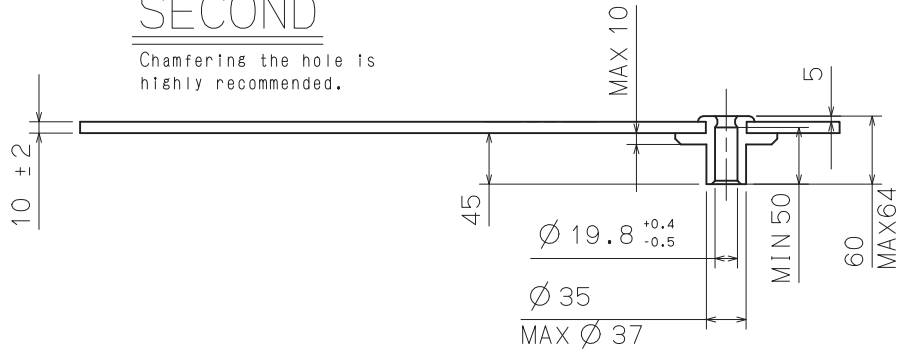
TYPE M	A	B	C	D	E	F	G
	166	225	279	40	45	118	50

Unit : 1=1/100mm

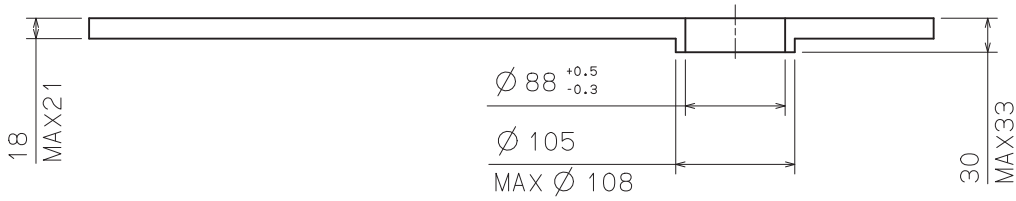
Version : 1

SECOND

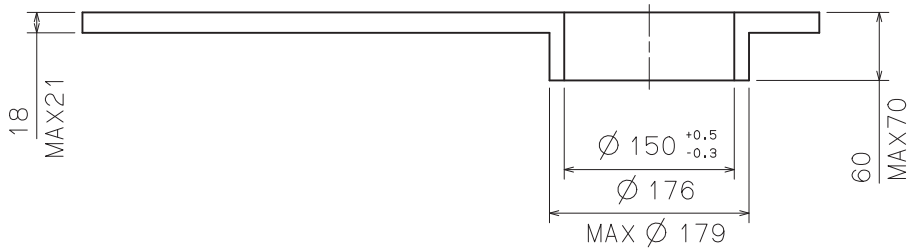
Chamfering the hole is highly recommended.



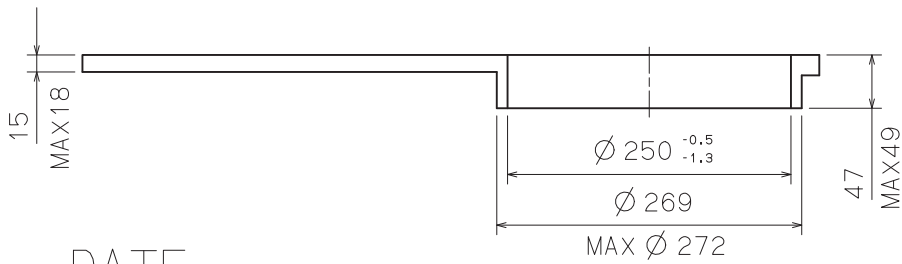
MINUTE



HOUR



POWER RESERVE



DATE

Chamfering the hole is highly recommended.

